

2-wire Programmable 4-20mA Dew point Transmitter

Features

- Rugged dewpoint transmitter for continuous measurement of moisture content of compressed air or process gas
- Bi-Ceramic Impedance Hygrometer
- Precise 4-20mA transmitter
- Wide 10-28V DC power voltage range
- A choice of ranges for dewpoint and ppm(V)
- A choice of housing options
- A choice of filter guard
- Durable construction
- Low cost
- 2-wire
- Calibration certificate

Description

At the core of the DEWCom II is a bi-ceramic detector made by Stork Instruments, ensuring superior accuracy and reliability. Bi-ceramic impedance dewpoint hygrometers assure users of the fastest response in measurement of the moisture content of gases. Nano-technology ceramic layers have created a sensor which serves in a range of dewpoint transmitters and portable hygrometers. Cutting-edge electronic design allows operation with any DC power source from 10 to 28 VDC.

The transmitter is available in multiple versions with a choice of protection filters, enabling operation across a wide pressure range - from vacuum to 300 bar - without sensitivity to flow rate.

Ordering information

Construct the ordering code to specify your order by selecting the appropriate range, housing, filter and guard options. This information helps ensure that your DEWCom transmitter is configured to meet your exact requirements.

Range Options:

- D1: -100°Cdp to +20°Cdp
- D6: -60°Cdp to +20°Cdp
- P1: 0 to 1000 ppm(V)

Housing Options:

- GM: Glass-Metal Seal
for below -70°Cdp (below 1 ppm)
and to 30MPa
- EM: Epoxy-Metal Seal
for above -70°Cdp (above 1 ppm)
and to 2MPa

Filter Guard Options:

- HD: Sintered HDPE
- SS: Sintered Stainless Steel
- OF: Open Flow Stainless steel



Example: DC-D6-EM-HD
Range -60°Cdp to +20°Cdp,
Housing Epoxy/Metal seal,
Filter Guard Sintered HDPE



1 General Specifications

Measurement range	-100°Cdp to +20°Cdp or 0 to 1000ppm(V)	Operating temperature	-40°C to +60°C
Non-standard range	Specified at the time of order	Operating environmental humidity	0-90% RH
Accuracy (dew point)	±2° Cdp	Max Operating pressure	Epoxy-Metal Seal: 2MPa Glass-Metal Seal: 45MPa
Response time	T ₉₅ =2,5 min (dry to wet)	Flow rate	0,2 to 5l/min 0 to 10m/sec direct insertion
Repeatability	0,5° Cdp		
Calibration	Traceable 10 point calibration certificate		

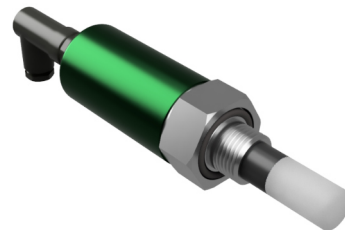
2 Electrical and Mechanical Specifications

Output signal	4 - 20 mA current source,	Ingress protection sensor	IP65 when installed
Available versions	ppm(V) and °C Dewpoint	Housing material	Stainless steel
Supply voltage	10 - 28 V _{DC}	Process connections	5/8" - 18 UNF
Current consumption	Max 23 mA	Interchangeability	Fully interchangeable without need to set or calibrate on site
Sensor fault condition	23 mA loop current	DEWCOM weight with	Filtr HDPE Filtr SS Filtr Open flow SS
Certification	CE marked	Glass-Metal Housing	157g 171g 164g
		Epoxy-Metal Housing	151g 164g 157g

3 Ordering Options - Housing

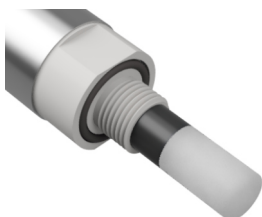


Glass-Metal seal (Stainless Steel type 303)
Body shell 303 stainless steel
Connector socket and plug solenoid type C valve 4 pin

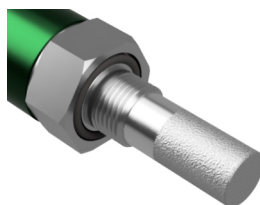


Epoxy-Metal seal (Stainless Steel type 316L)
Body shell anodized aluminum type PA4
Connector socket and plug M8 4 pin

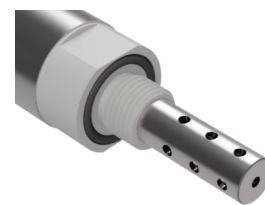
4 Ordering Options - Filter guard



Sintered HDPE filter guard

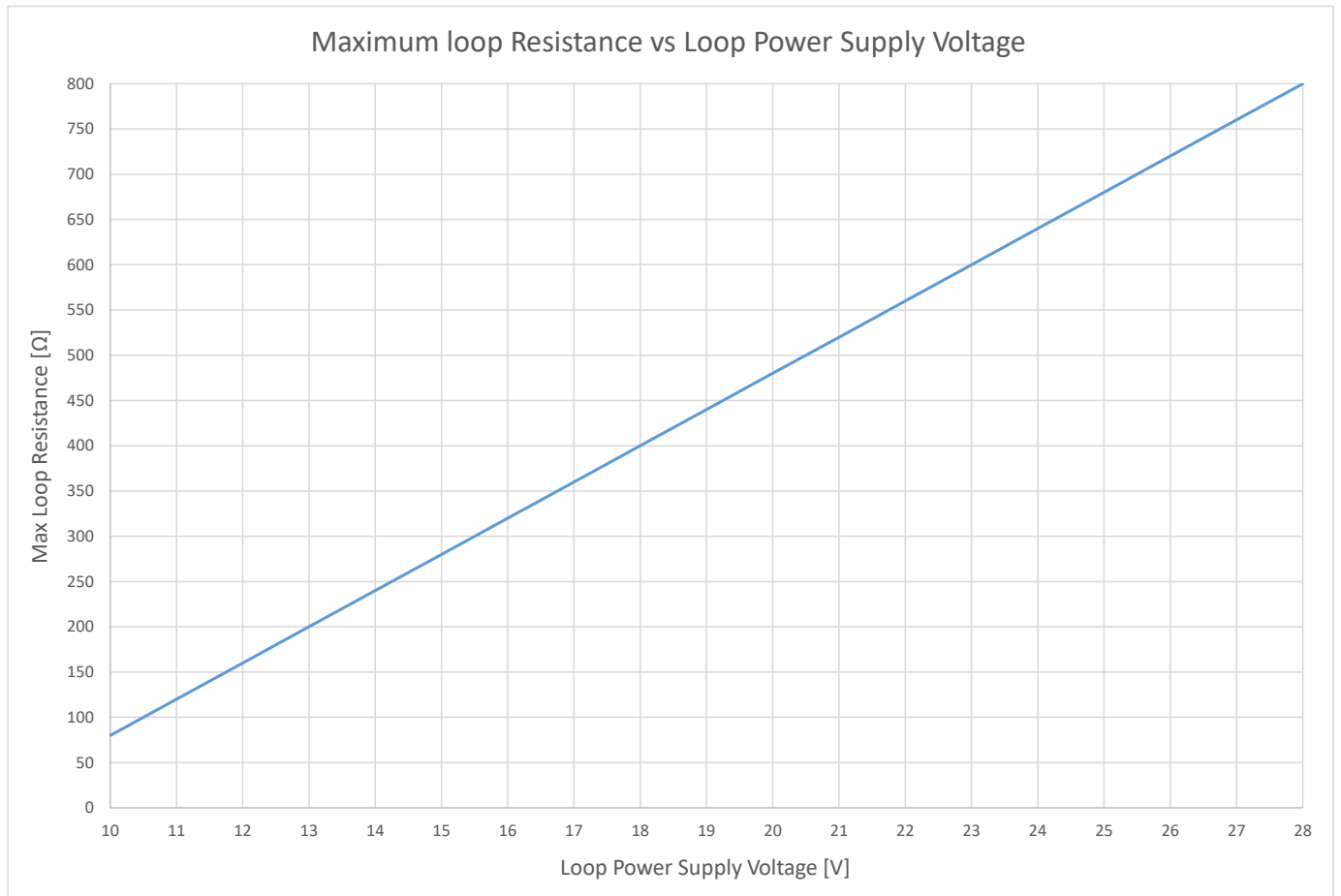


Sintered Stainless Steel type 316L filter guard

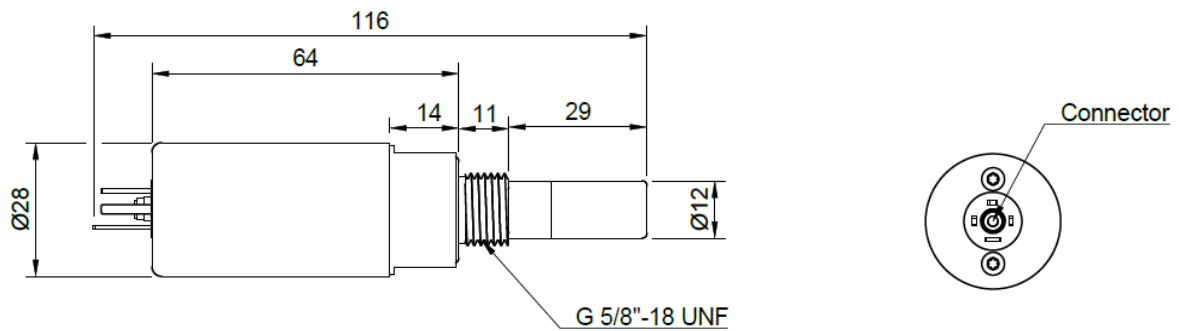
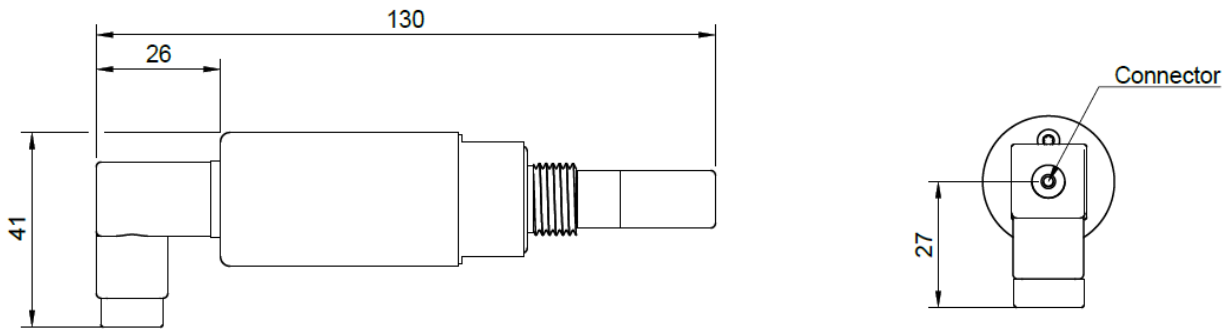


Open Flow Stainless Steel type 316L filter guard

5 Maximum Loop Resistance vs Loop Power Supply Voltage



6 Dimensions - DEWCOM II DIN 43650 Connector version



7 Dimensions - DEWCOM II M8 Connector version

